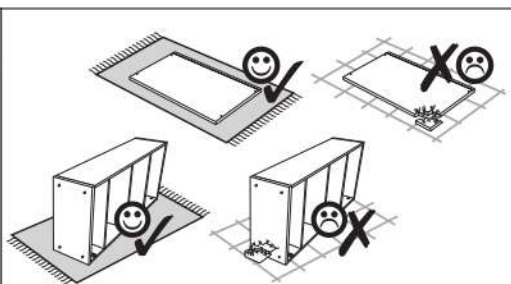
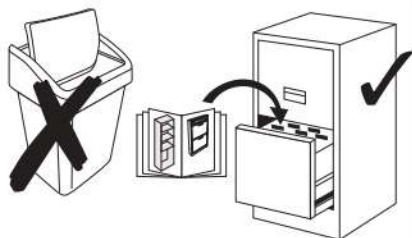
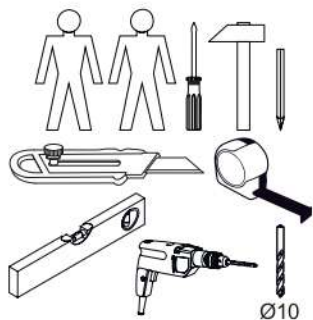
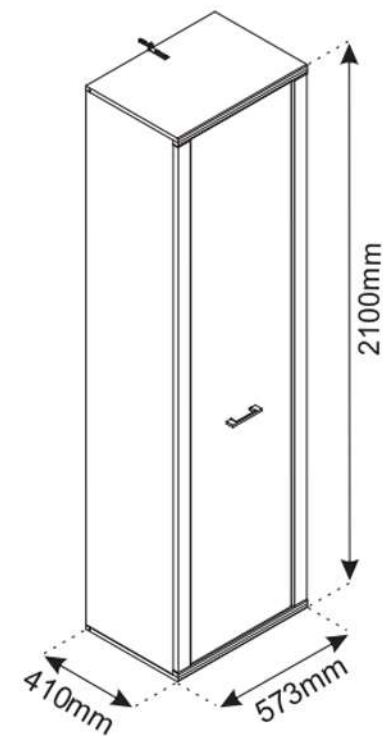
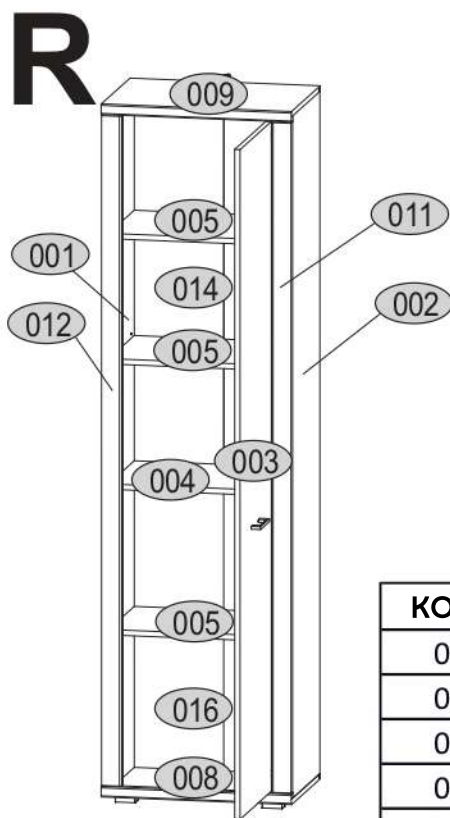
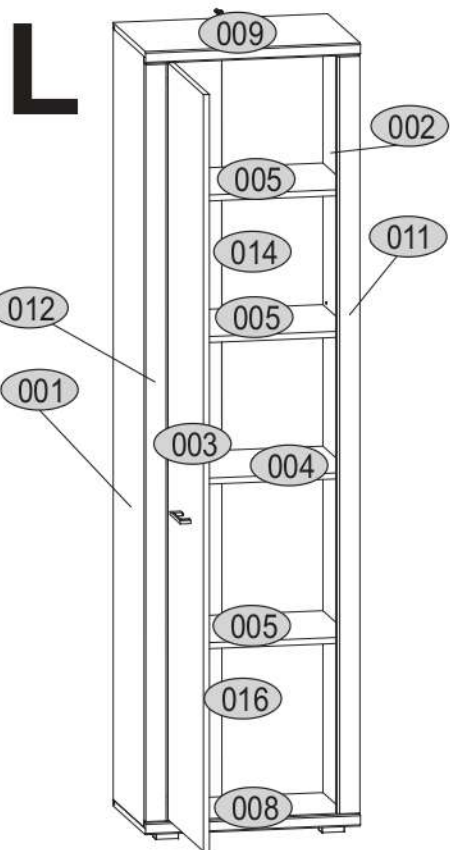




# CONRAD 1D



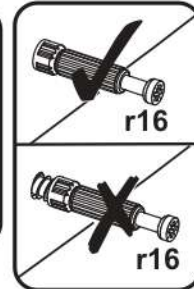
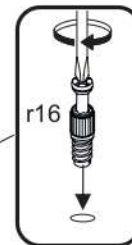
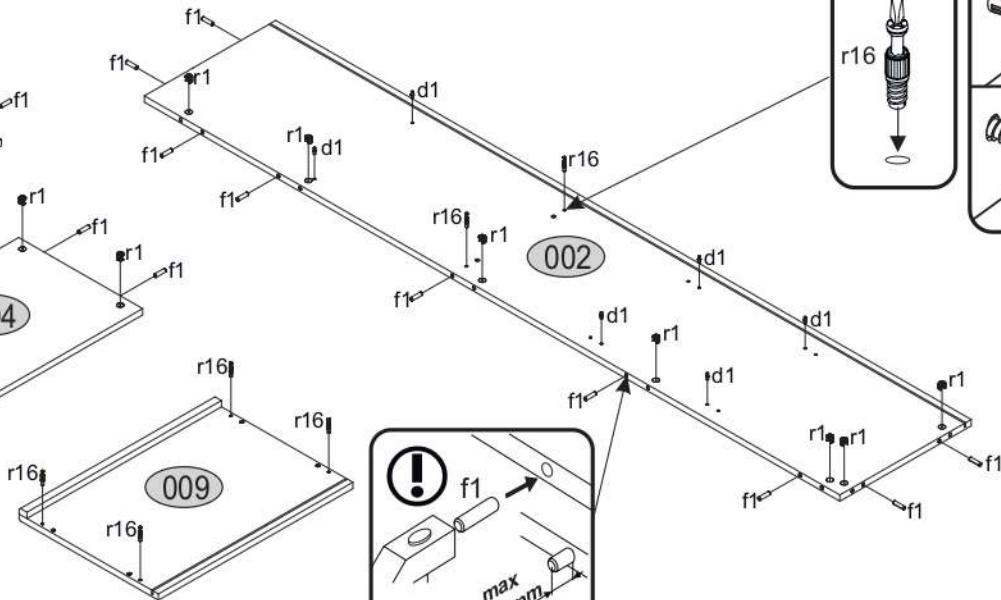
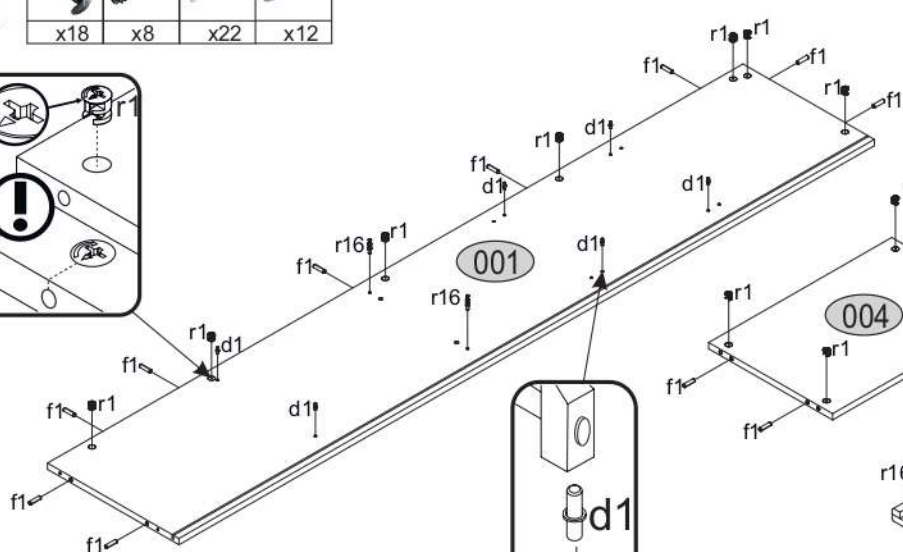
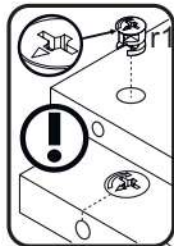
KODA	DIMENZIJE			PAKET
001	2048	387	16	1 / 1/2
002	2048	387	16	1 / 1/2
003	445	895	16	1 / 2/2
004	539	365	16	1 / 1/2
005	539	365	16	3 / 1/2
008	573	410	16/32	1 / 1/2
009	573	410	16/32	1 / 1/2
011	2010	60	22	1 / 1/2
012	2010	60	22	1 / 1/2
014	1145	278	2,5	2 / 1/2
016	921	278	2,5	2 / 1/2
<b>DODATKI</b>				1 / 1/2

<b>4x e1</b> $\varnothing 7 \times 50$ 	<b>22x f1</b> $\varnothing 8 \times 30$ 	<b>1x f3</b> 	<b>1x n14</b> 
<b>1x p17</b> $\varnothing 6 \times 50$ 	<b>22x p25</b> $\varnothing 3.5 \times 16$ 	<b>18x r1</b> <b>15x12</b> 	<b>18x r16</b> $\varnothing 5 \times 24$ 
<b>18x s2</b> 	<b>1x z1</b> 	<b>2x p9</b> 	<b>8x p18</b> 
<b>3x a111</b> 	<b>3x b104</b> 	<b>1x c46</b> 	<b>12x l2</b> 
<b>2x n260.01</b> 	<b>12x d1</b> 	<b>4x k311.05</b> 	<b>6x e2</b> 
<b>10x s4</b> 			



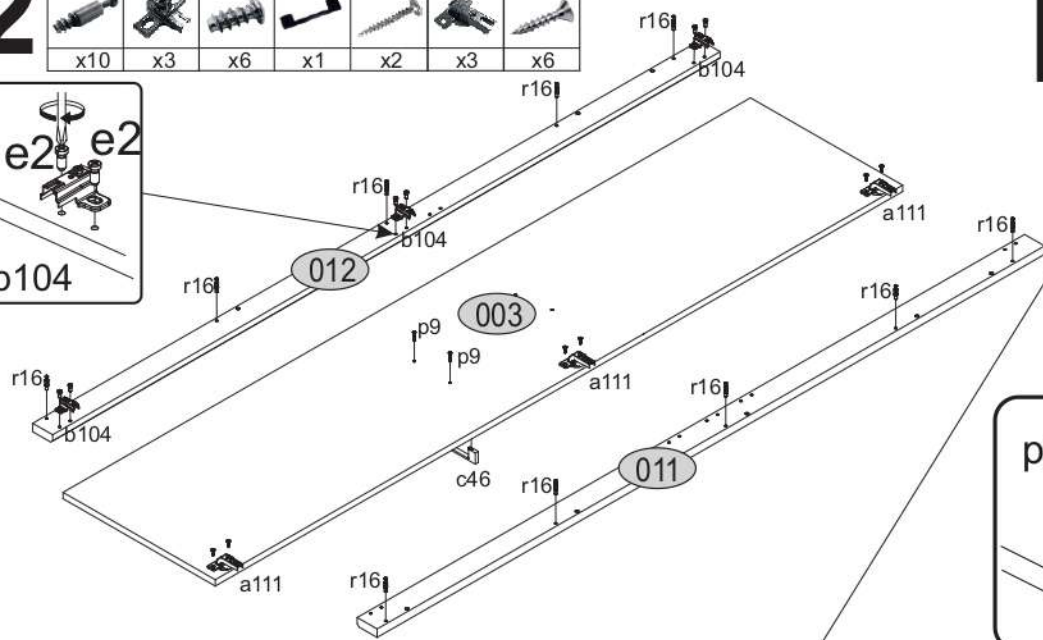
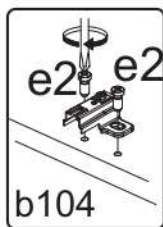
# 1

			
x18	x8	x22	x12

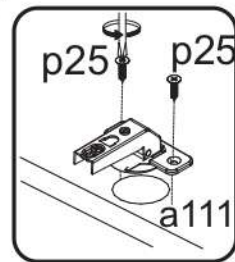
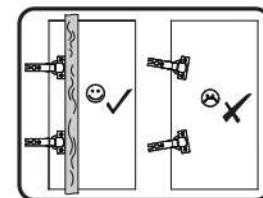
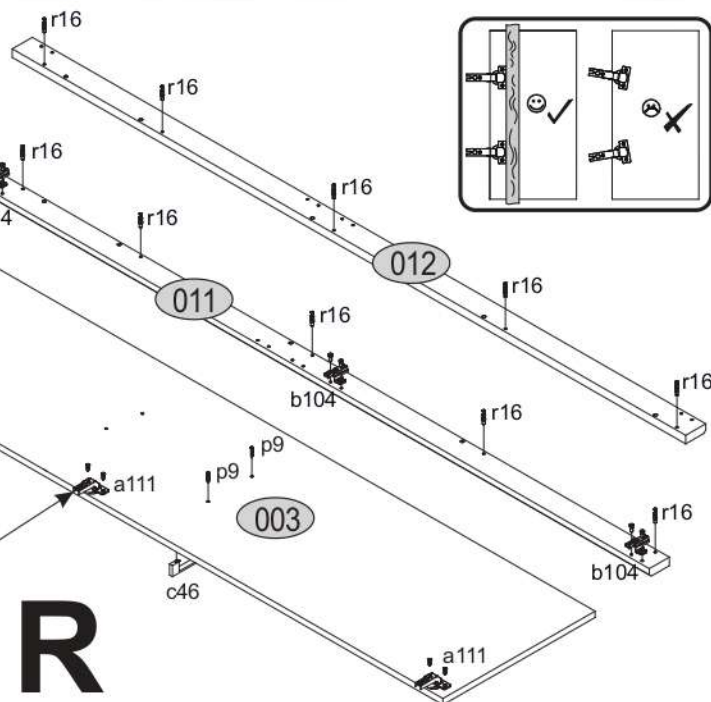


# 2

						
x10	x3	x6	x1	x2	x3	x6

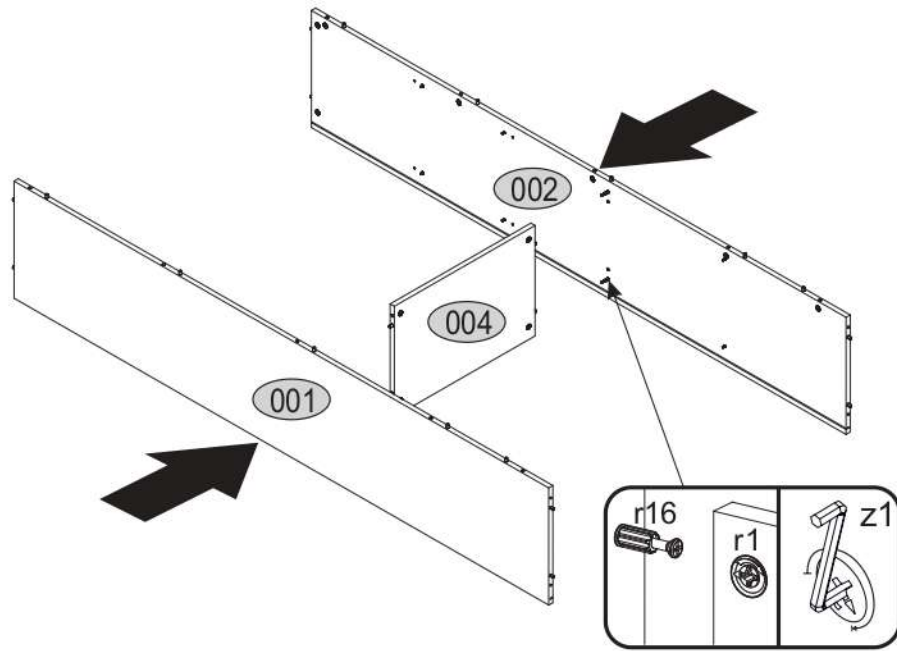


# L

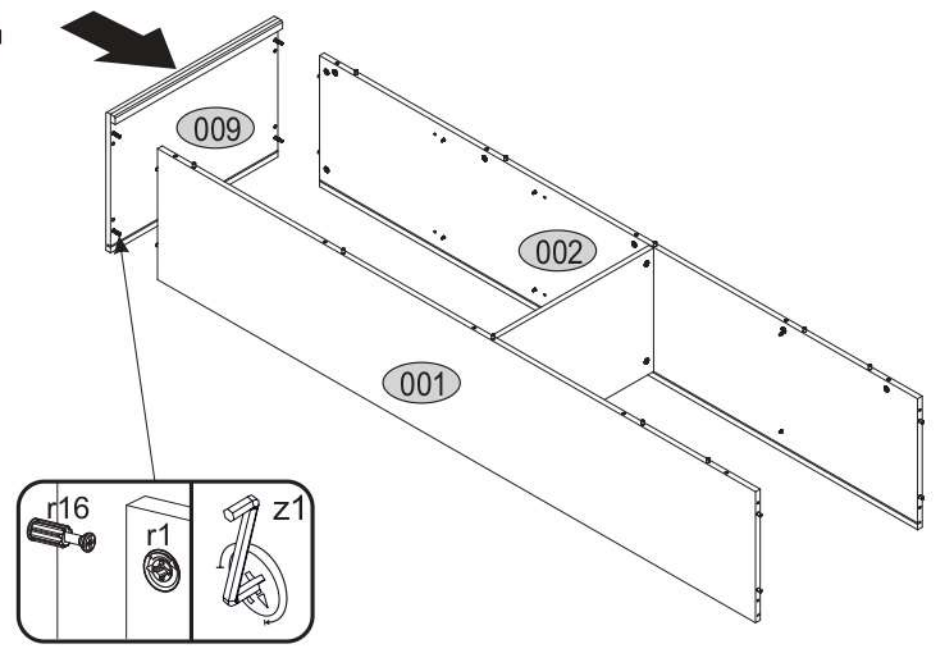


# R

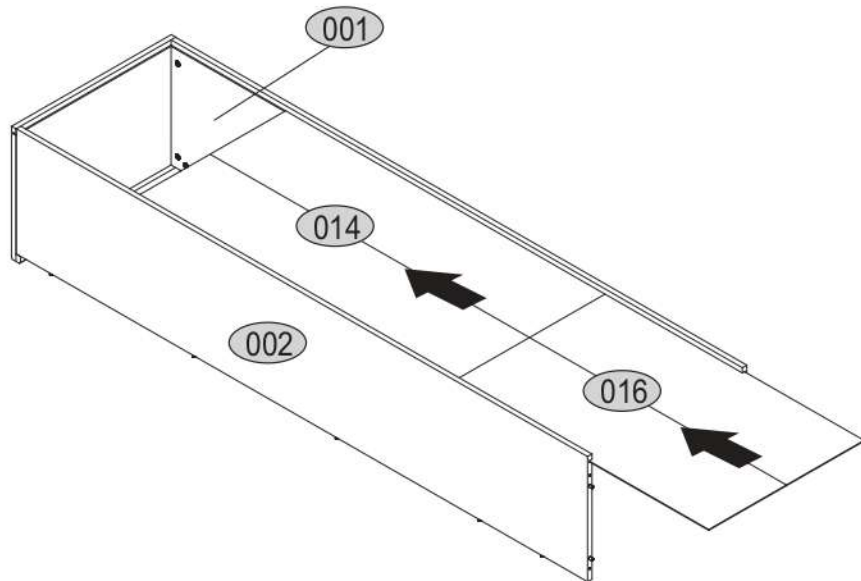
# 3



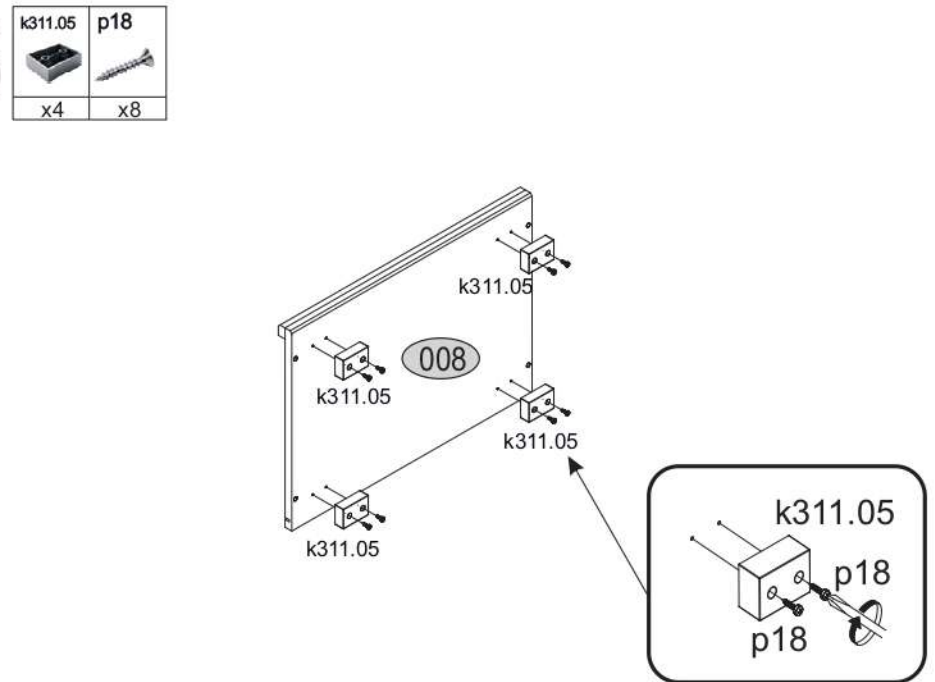
# 4



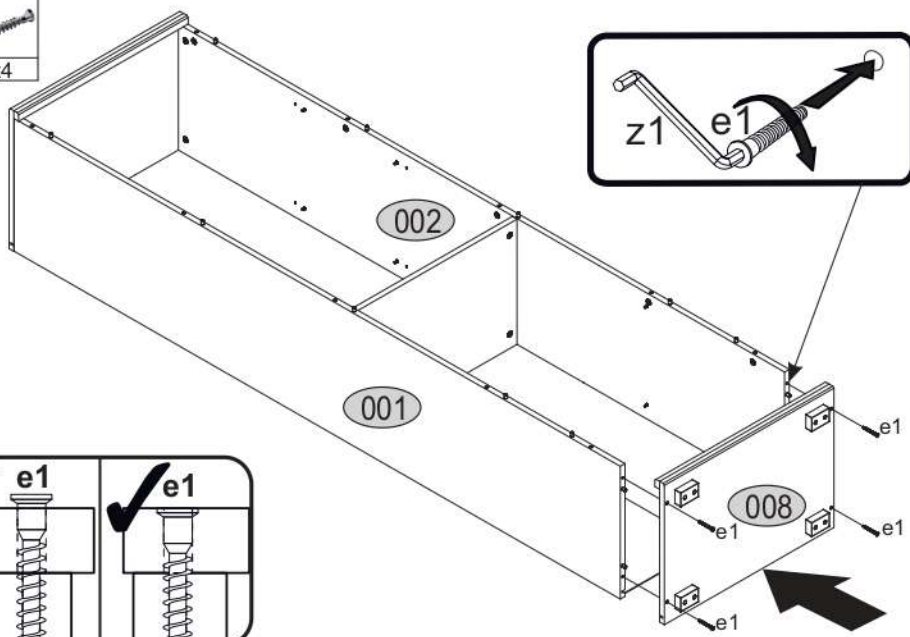
# 5



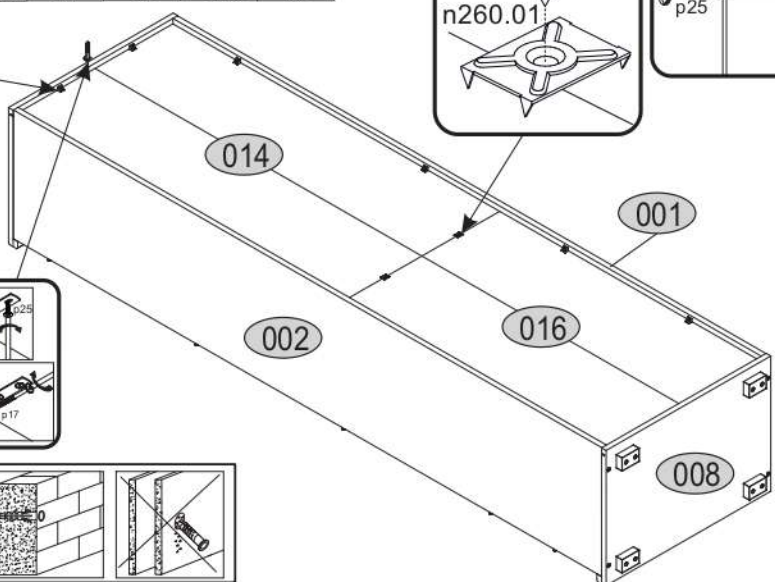
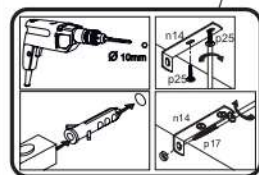
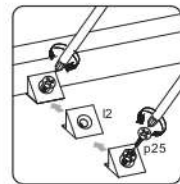
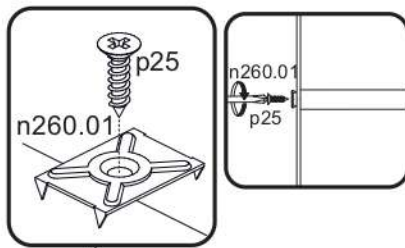
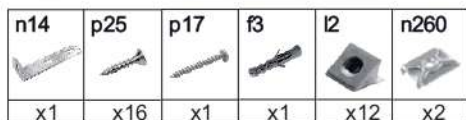
# 6



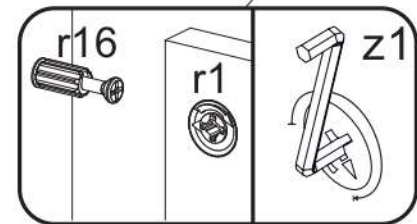
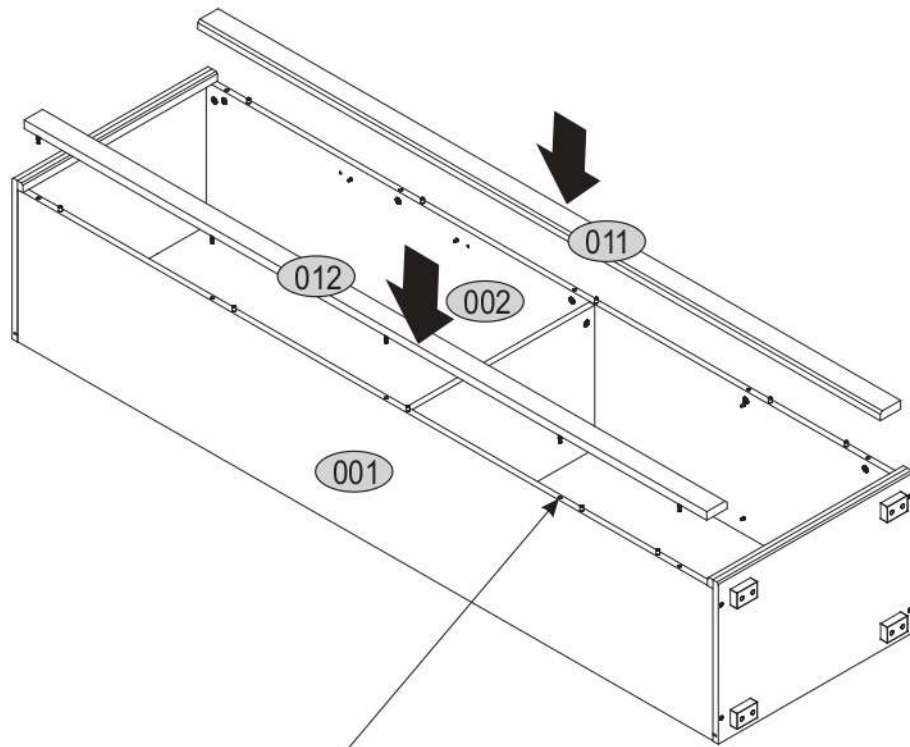
# 7



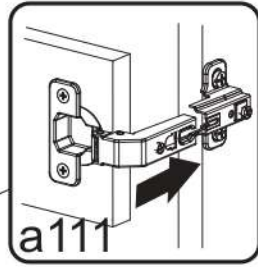
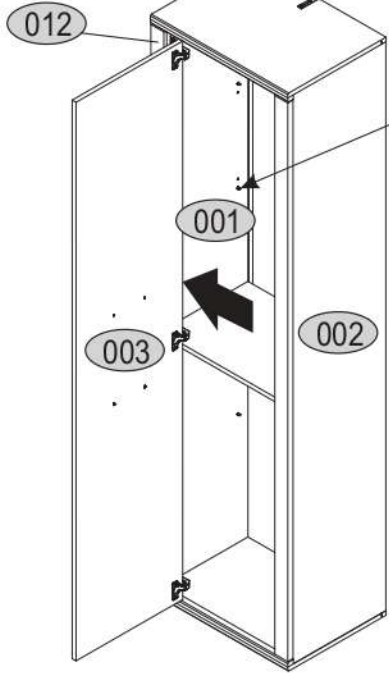
# 8



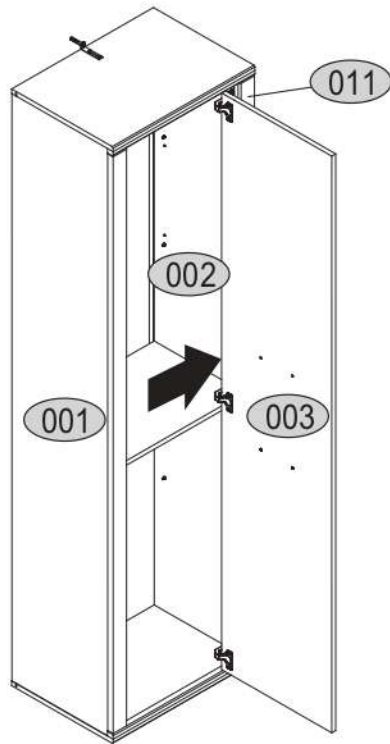
# 9



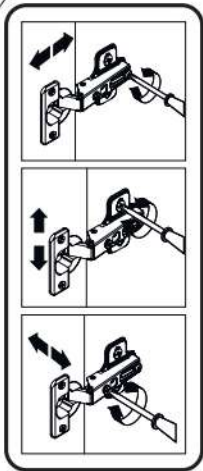
# 10



# R



# L



# 11

s2	s4
x18	x10

